

User Guide

Swivelpole's Maxis™ Complete Pole Solutions



OVERVIEW

This guide is applicable for all Swivelpole's Maxis™ complete pole solutions - stanchion (S), structure (ST), floor (F), wall/column mount (C), high vibration pole top (HVPT) and horizontal (H).

This guide should be followed to ensure the Swivelpole™ is assembled and installed safely and correctly, and should be followed in conjunction with onsite work procedures, safety rules and regulations.

Drawings: Copies of client drawings are available online at swivelpole.com/maxis

Ordering: Please email sales@swivelpole.com

Copyright and Patent: The Swivelpole™ and Maxis™ product range is protected worldwide by patents and registered designs owned by Swivelpole Group Pty Ltd and Exemplar Products Pty Ltd.

INSTALLING THE POLE BASE

Step 1

- Install the pole base to required position on chosen structure, i.e. stanchion (Fig 1), structure or floor, using appropriate mounting brackets where applicable (mounting brackets available from Swivelpole™).
- Ensure the pole base extends 50mm [1.97in] above the handrail.
- Note: 90mm [3.54in] clearance is required above the top bracket.
- Fit orange plastic insert into the pole base. (Fig 2)
- For column/wall mounting, refer to client drawing.
- Junction boxes can be installed during Step 1.

Fig 1

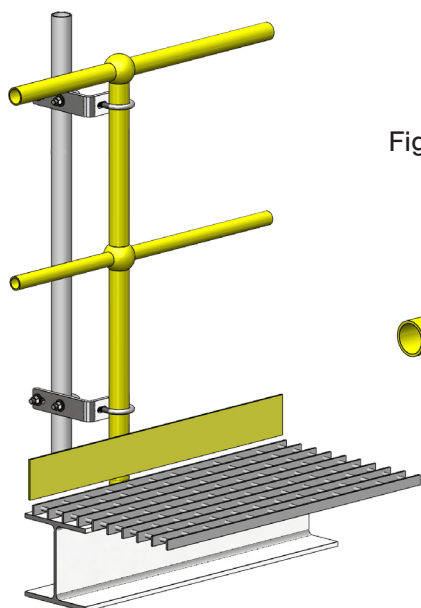
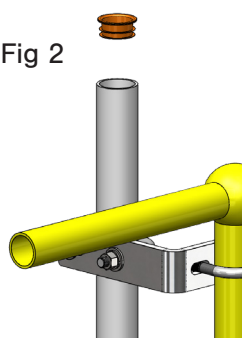


Fig 2



INSTALLING THE MAXIS™ JOINT

Step 2

- Position the Maxis™ joint onto the pole base (Fig 3).
HVPT series - Position the preassembled Maxis™ joint and pole top onto the pole base in a lowered position.
 - Adjust the Maxis™ joint to desired direction and tighten bottom grub screws firmly. (Fig 3)
 - Loosen the four bolts by one full turn only.
 - Swivel the Maxis™ joint to lowered position. Readjust direction if necessary. (Fig 4)
- H series - Rotate the Maxis™ joint to face the platform.

Fig 3

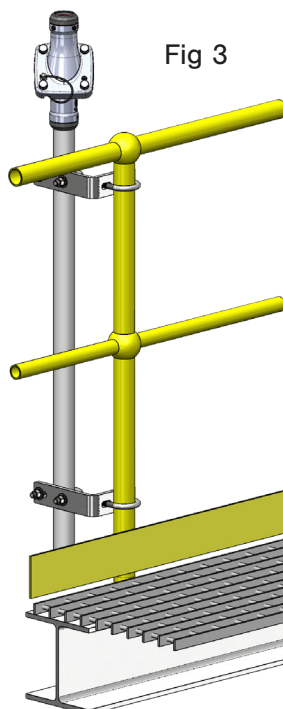
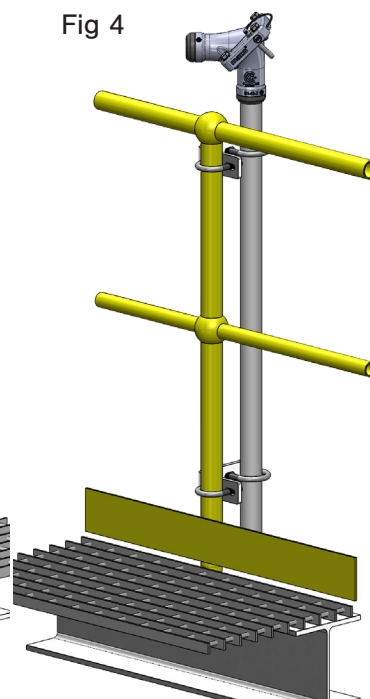


Fig 4



User Guide

Swivelpole's Maxis™ Complete Pole Solutions

INSTALLING THE POLE TOP

Step 3 (not applicable for HVPT series)

- Fit second orange plastic insert into the pole top.
- Feed the cable through the pole top.
- Install light fixture onto pole top as per manufacturer instructions. Note: Cable can be terminated off site.
- One person holds the pole top horizontally while the second person feeds the cable through the Maxis™ joint into the pole base.
- Slip the pole top into the Maxis™ joint. (Fig 5)
- Tighten top grub screws firmly.

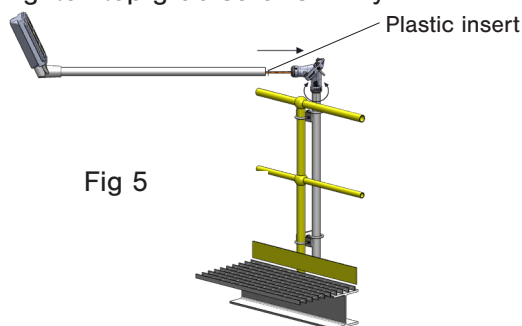


Fig 5

Step 4 (not applicable for H series)

- Swivel pole top to full height and insert safety pin.
- If required, the lowering position can be altered at this stage. If altering is required, loosen the bottom grub screws, reposition the direction and re-tighten grub screws firmly. Check lowering direction again, tighten bottom grub screws fully, refer torque settings.

ADJUSTING AND COMPLETING INSTALLATION

Step 5 (not applicable for H series)

- With pole top in upright position, check that the fixture is facing in the desired direction.
- If adjustment is required, loosen the top grub screws and rotate the pole top. (Fig 6)
HVPT series - adjust luminaire mount if necessary.
- Tighten grub screws fully, refer torque settings.

Step 6

- Tighten the bolts evenly and alternately whilst ensuring the pole top is straight by manoeuvring vertically. (Fig 7)
- Fully tighten the bolts to complete the installation.
- Ensure all fasteners are tightened to the correct torque settings.
- Connect the bottom cable termination.

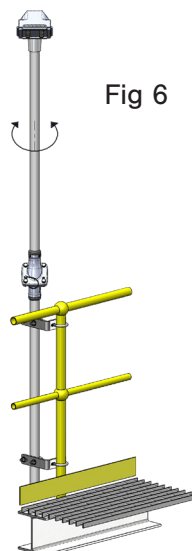


Fig 6

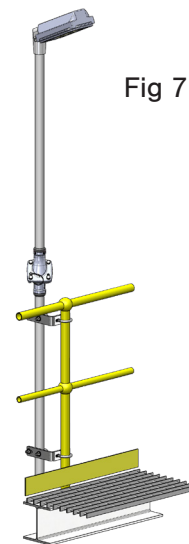


Fig 7

OPERATION

TO LOWER* POLE TOP (*H series - Rotate)

- Ensure safety pin is inserted.
- Loosen joint bolts by one full turn only.
- Whilst holding pole top with one hand, withdraw safety pin and lower* pole top to a comfortable working position.
- Re-insert safety pin.

TO RAISE* POLE TOP (*H series - Rotate)

- Withdraw safety pin.
- Raise* pole top, guiding it as it swivels to upright position.
- Re-insert safety pin.
- Tighten the bolts evenly and alternately whilst ensuring the pole top is straight by manoeuvring vertically. Tighten joint bolts fully, refer torque settings.

JOINT ORIENTATION

Maxis™ joint allows clockwise or anti-clockwise orientation at any degree from the guardrail. Lowering operation to either side to clear any obstruction.

TOOL REQUIREMENTS

- 19mm spanner
- 5mm Allen Key (6mm for DN65)

RECOMMENDED TORQUE SETTINGS

- Grub screws: 30Nm [22lb/ft] to 34Nm [25lb/ft] (50Nm [37lb/ft] to 60Nm [44lb/ft] for DN65)
- Joint bolts: 40Nm [30lb/ft] to 80Nm [60 lb/ft]