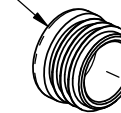
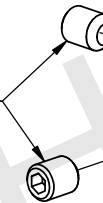


PLASTIC CAP

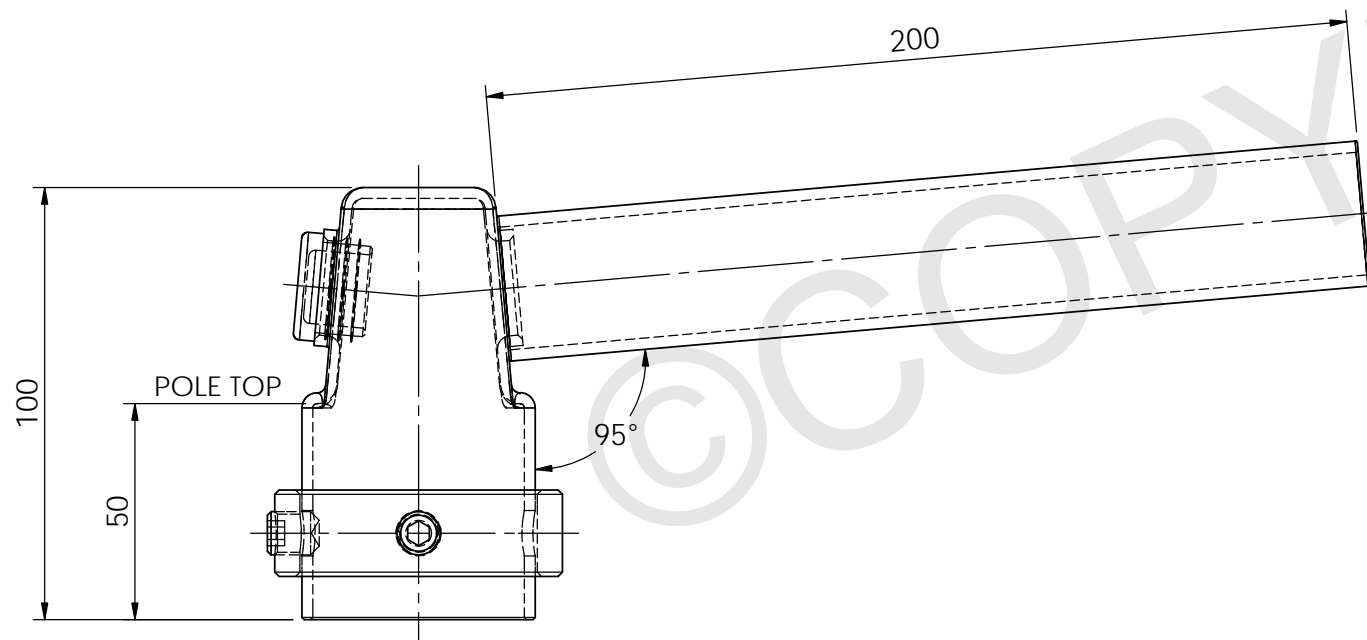
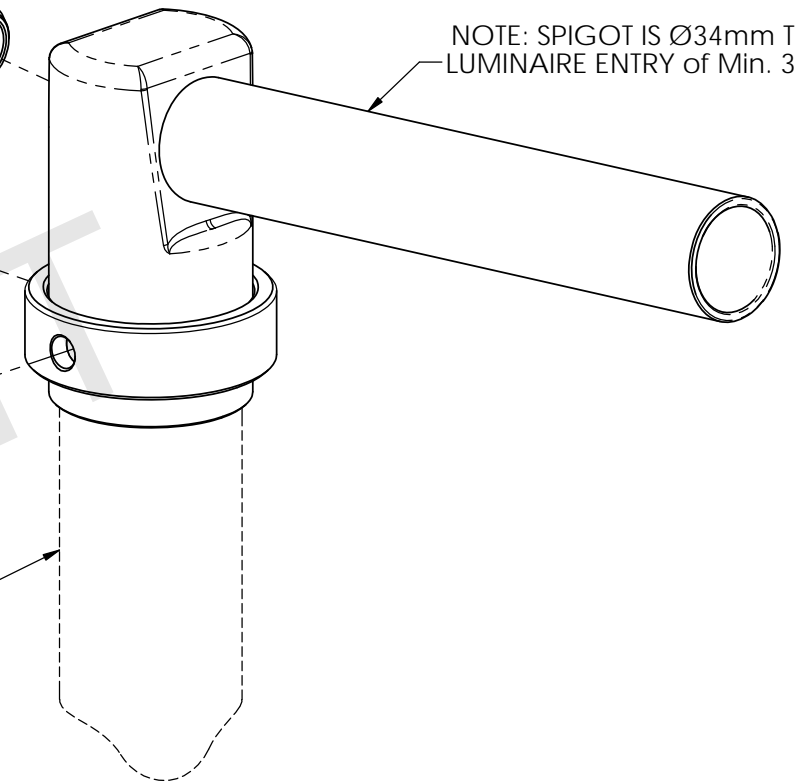


NOTE: SPIGOT IS Ø34mm TO FIT LUMINAIRE ENTRY of Min. 35mm

M10 GRUB SCREW (x2)



DN40
(Ø48.3mm)



PART NUMBER = LMK1101-40-DD-HG

MATERIAL = Steel - HDG Finish

WEIGHT = 0.9 kg

SUPPLIED WITH PLASTIC CAP



Scan Code with QR Reader app for more Swivelpole™ Light Mount Product Information

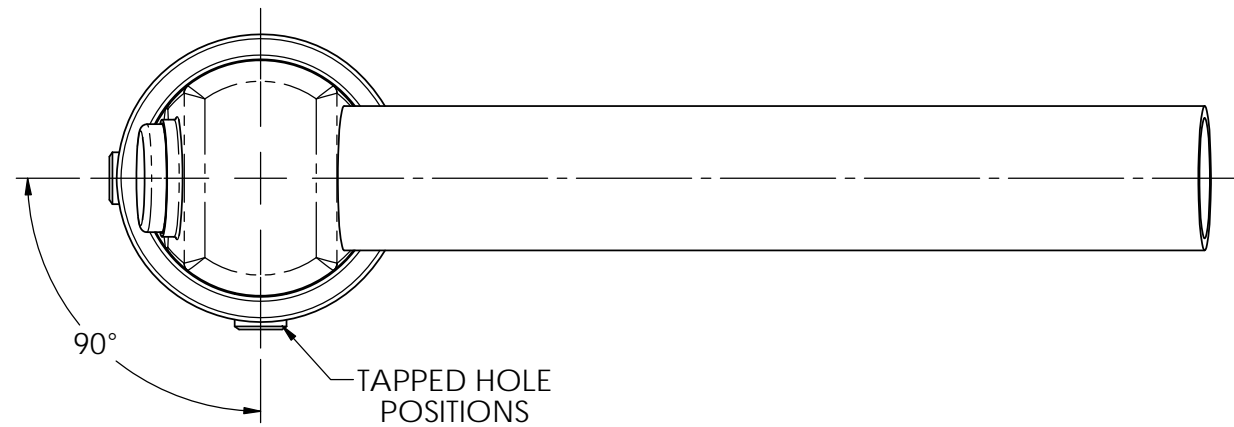
PATENTED
PRODUCTS

www.swivelpole.com

Swivelpole™

This document is the property of and protected by copyright owned by Swivelpole Group Pty Ltd. The designs and other information embodied in this document comprise confidential information of Swivelpole Group Pty Ltd and form part of products covered by international patents and registered designs including US patent No 6957832. Unauthorised use, reproduction and disclosure are strictly prohibited. This document must not be removed from the premises of the licensed user of this document without Swivelpole Group Pty Ltd's prior approval.

ALL DIMENSIONS ARE IN MILLIMETERS	PROJECT	SERIES / CODE	PART NUMBER	REV	DRG No
	SWIVELPOLE™	LM	LMK1101-40-DD-HG	1	A3
DRAWN BY	BP	DATE	31/07/20	TITLE	
CHECKED BY	KM	DATE	31/07/20	DN40 [Ø48.3mm] Luminaire Mount	
APPROVED BY	AI	DATE	31/07/20	End Entry - Fluorescent, LED, Other	
THIRD ANGLE PROJECTION	SCALE		1:2	Client Detail	
				C-AU-LMK1101-40-DD-HG	

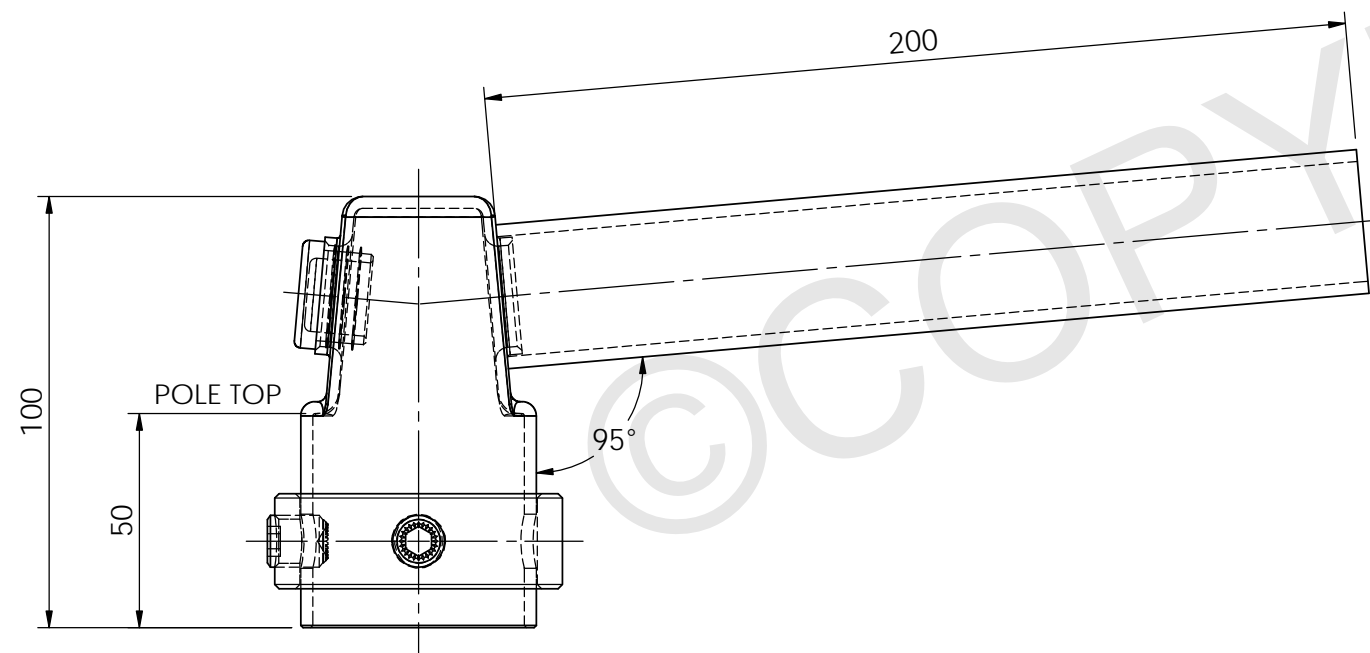


PLASTIC CAP

NOTE: SPIGOT IS Ø34mm TO FIT LUMINAIRE ENTRY of Min. 35mm

M12 GRUB SCREW (x2)

DN40
(Ø48.3mm)



PART NUMBER = LMK1101-40-DD-SS

MATERIAL = 316 Stainless Steel

WEIGHT = 1.0 kg

SUPPLIED WITH PLASTIC CAP



Scan Code with QR Reader app for more Swivelpole™ Light Mount Product Information

PATENTED
PRODUCTS

www.swivelpole.com

Swivelpole™

This document is the property of and protected by copyright owned by Swivelpole Group Pty Ltd. The designs and other information embodied in this document comprise confidential information of Swivelpole Group Pty Ltd and form part of products covered by international patents and registered designs including US patent No 6957832. Unauthorised use, reproduction and disclosure are strictly prohibited. This document must not be removed from the premises of the licensed user of this document without Swivelpole Group Pty Ltd's prior approval.

ALL DIMENSIONS ARE IN MILLIMETERS	PROJECT	SERIES / CODE	PART NUMBER
	SWIVELPOLE™	LM	LMK1101-40-DD-SS
DRAWN BY	BP	DATE	13/08/21
CHECKED BY	KM	DATE	16/08/21
APPROVED BY	AI	DATE	17/08/21
THIRD ANGLE PROJECTION	SCALE		DRG No
	1:2		C-AU-LMK1101-40-DD-SS
			REV
			0 A3

TITLE
DN40 [Ø48.3mm] Luminaire Mount
End Entry - Fluorescent, LED, Other
Client Detail