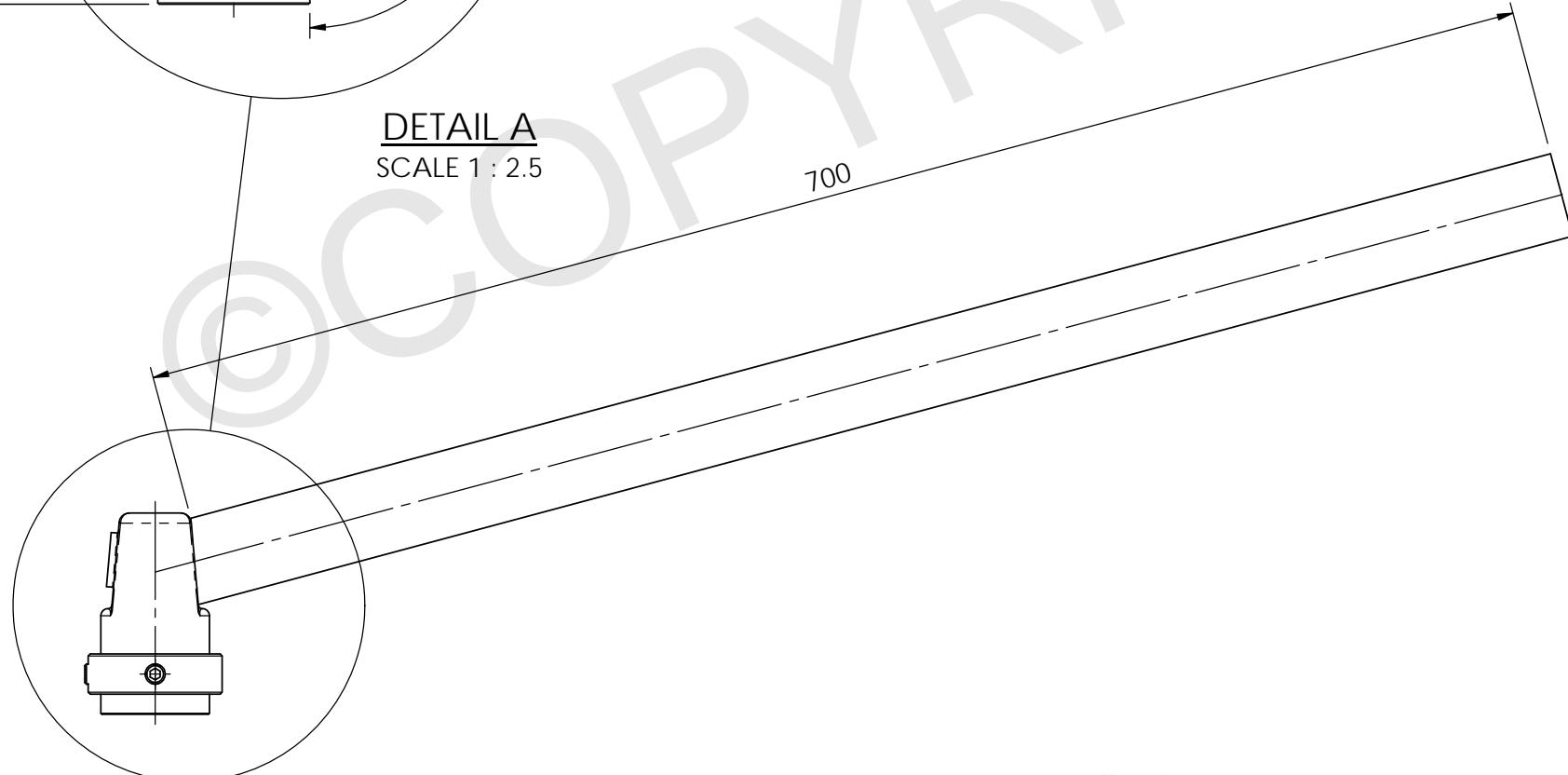


DETAIL A
SCALE 1 : 2.5

PART NUMBER = LMK2302-40-DD-HG

MATERIAL = Steel - HDG Finish

WEIGHT = 2.3 kg



Scan Code with
QR Reader app for more
Swivelpole™ Light Mount
Product Information

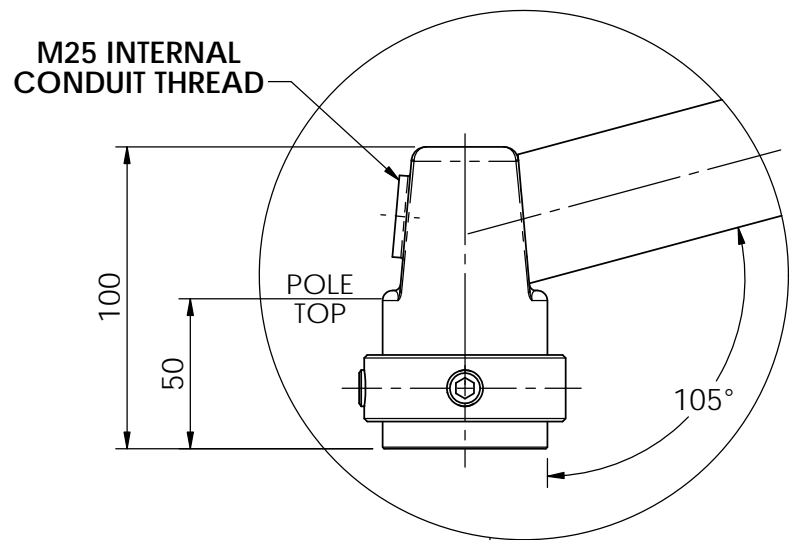
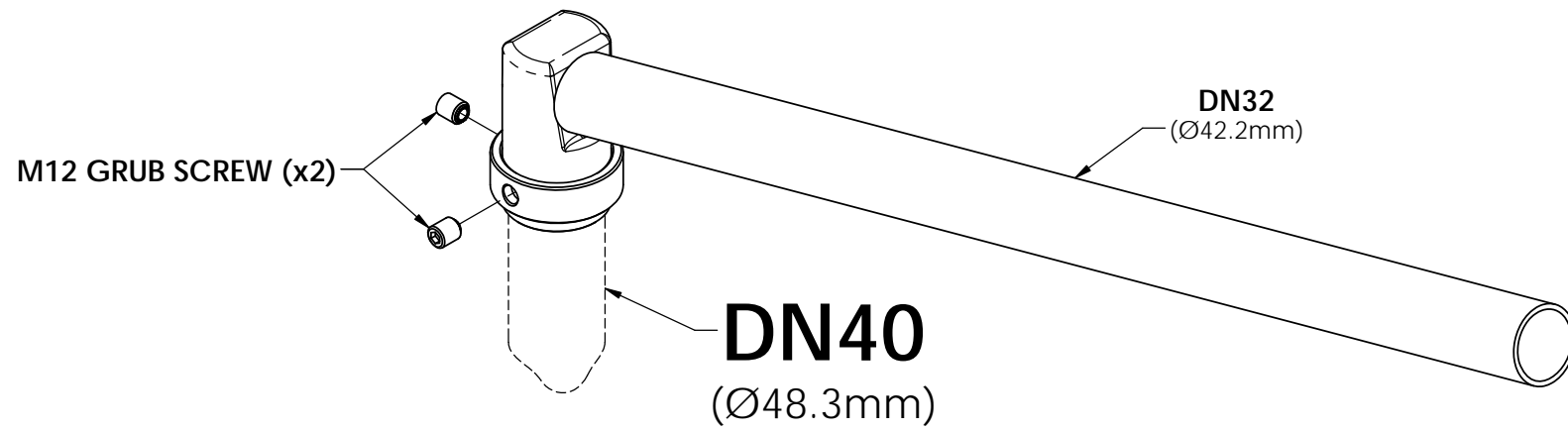
PATENTED
PRODUCTS

www.swivelpole.com

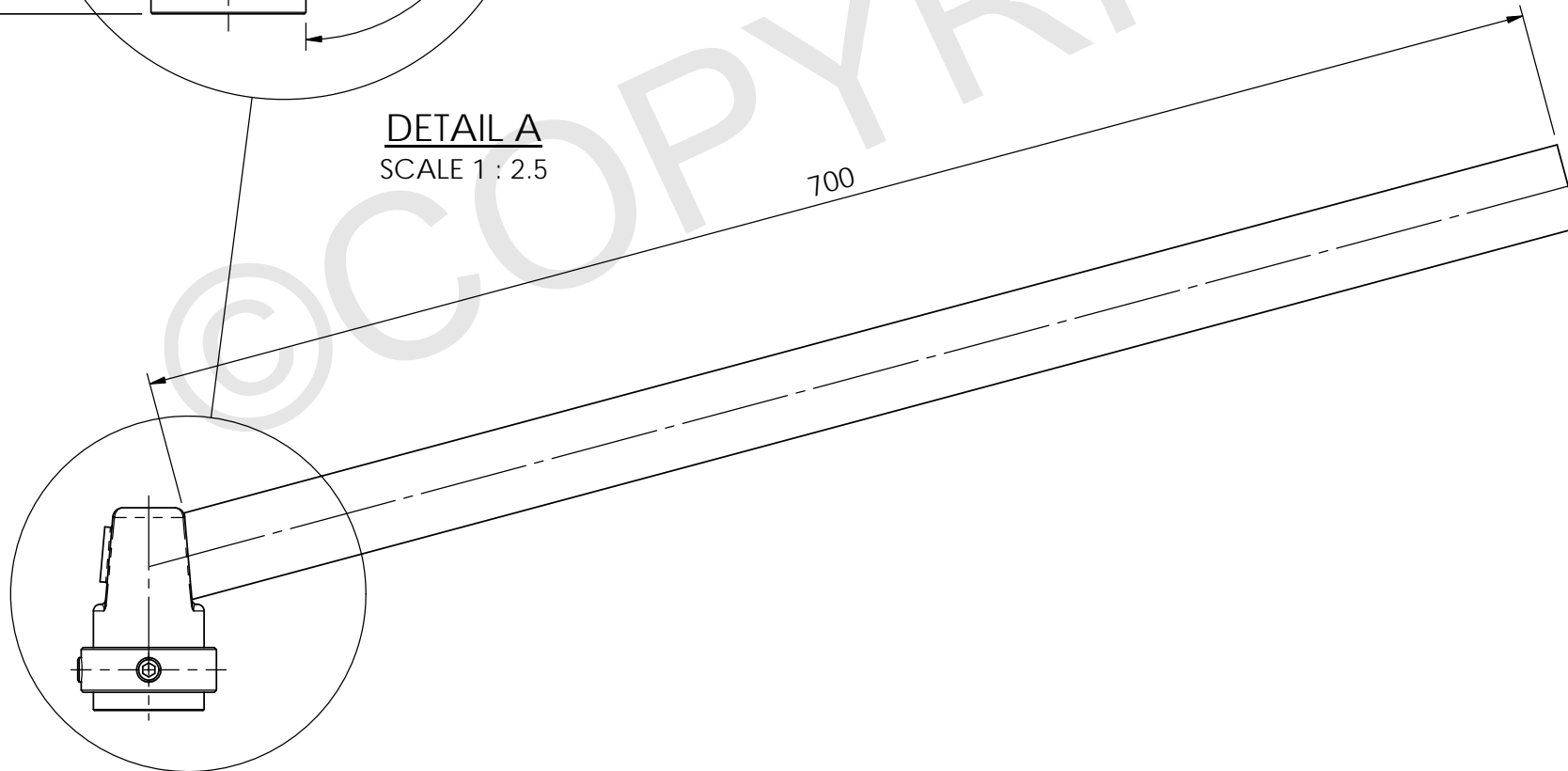
Swivelpole™

This document is the property of and protected by copyright owned by Swivelpole Group Pty Ltd. The designs and other information embodied in this document comprise confidential information of Swivelpole Group Pty Ltd and form part of products covered by international patents and registered designs including US patent No 6957832. Unauthorised use, reproduction and disclosure are strictly prohibited. This document must not be removed from the premises of the licensed user of this document without Swivelpole Group Pty Ltd's prior approval.

ALL DIMENSIONS ARE IN MILLIMETERS	PROJECT	SERIES / CODE	PART NUMBER						
	SWIVELPOLE™	LM	LMK2302-40-DD-HG	(RQ1717 - 22/11/21)					
DRAWN BY	BP	DATE	08/02/21	TITLE DN40 (Ø48.3mm) Luminaire Mount End Entry - Fluorescent, LED, Other Client Detail					
CHECKED BY	KM	DATE	09/02/21						
APPROVED BY	AI	DATE	10/02/21						
THIRD ANGLE PROJECTION			SCALE	N.T.S.	DRG No	C-AU-LMK2302-40-DD-HG	REV	1	A3



DETAIL A
SCALE 1 : 2.5



PART NUMBER = LMK2302-40-DD-SS

MATERIAL = 316 Stainless Steel

WEIGHT = 2.5 kg



Scan Code with
QR Reader app for more
Swivelpole™ Light Mount
Product Information

PATENTED
PRODUCTS

www.swivelpole.com

Swivelpole™

This document is the property of and protected by copyright owned by Swivelpole Group Pty Ltd. The designs and other information embodied in this document comprise confidential information of Swivelpole Group Pty Ltd and form part of products covered by international patents and registered designs including US patent No 6957832. Unauthorised use, reproduction and disclosure are strictly prohibited. This document must not be removed from the premises of the licensed user of this document without Swivelpole Group Pty Ltd's prior approval.

ALL DIMENSIONS ARE IN MILLIMETERS	PROJECT	SERIES / CODE	PART NUMBER
	SWIVELPOLE™	LM	LMK2302-40-DD-SS
DRAWN BY	BP	DATE	17/08/21
CHECKED BY	KM	DATE	18/08/21
APPROVED BY	AI	DATE	19/08/21
THIRD ANGLE PROJECTION		SCALE	N.T.S.
TITLE			DRG No
DN40 (Ø48.3mm) Luminaire Mount End Entry - Fluorescent, LED, Other Client Detail			C-AU-LMK2302-40-DD-SS
REV			A3
0			