

PART NUMBER = LMK5101-40-DD-HG

MATERIAL = Steel - HDG Finish

WEIGHT = 1.0 kg

SUPPLIED WITH PLASTIC CAP



Scan Code with
QR Reader app for more
Swivelpole™ Light Mount
Product Information

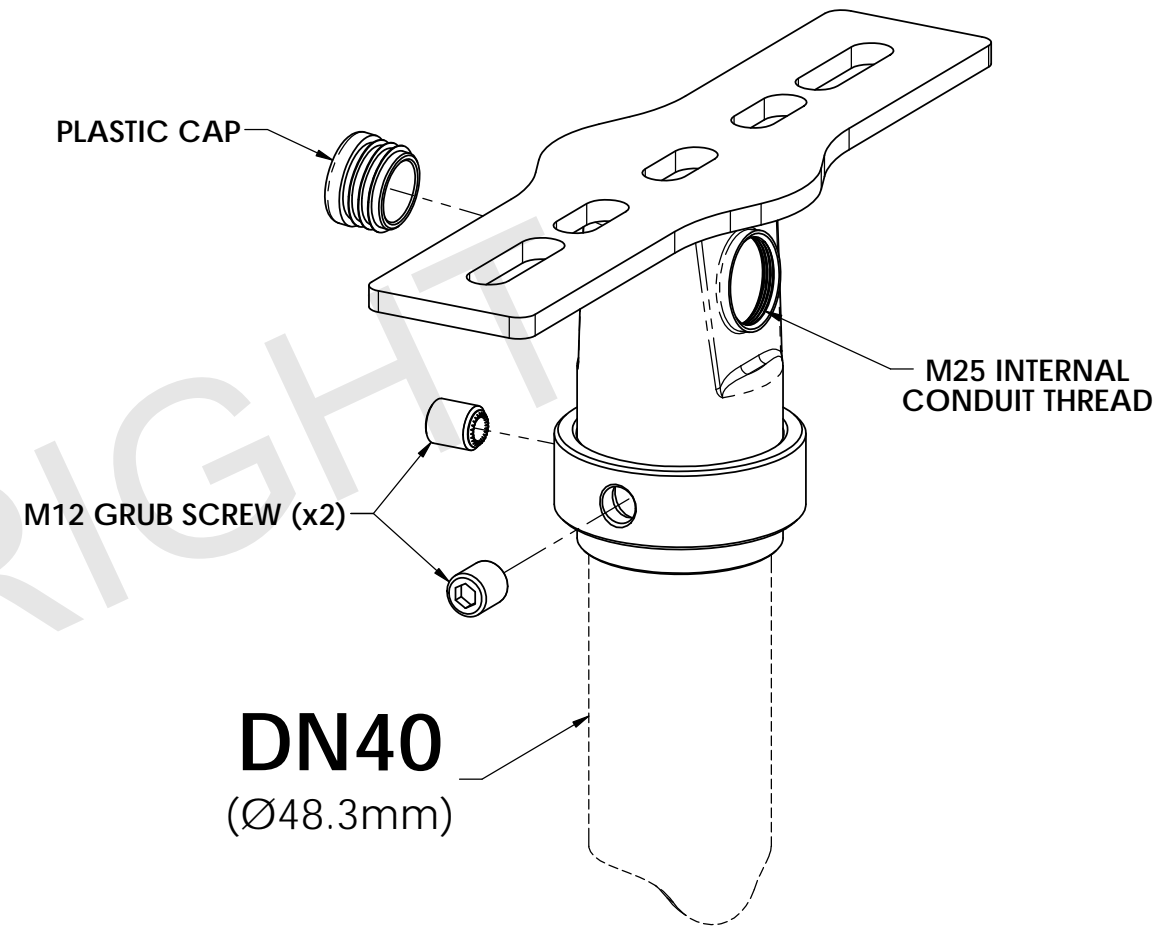
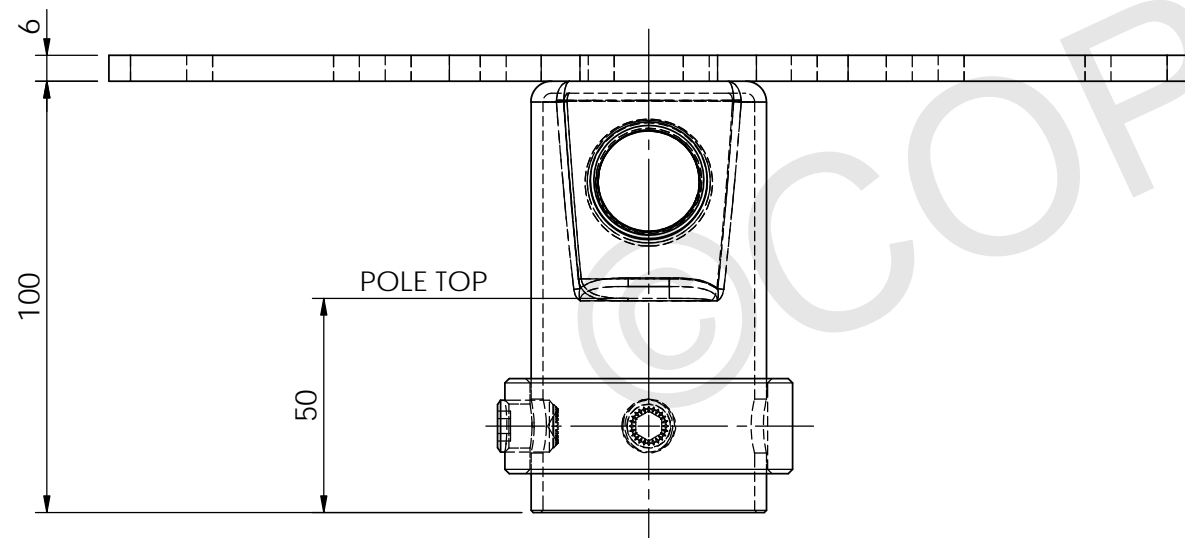
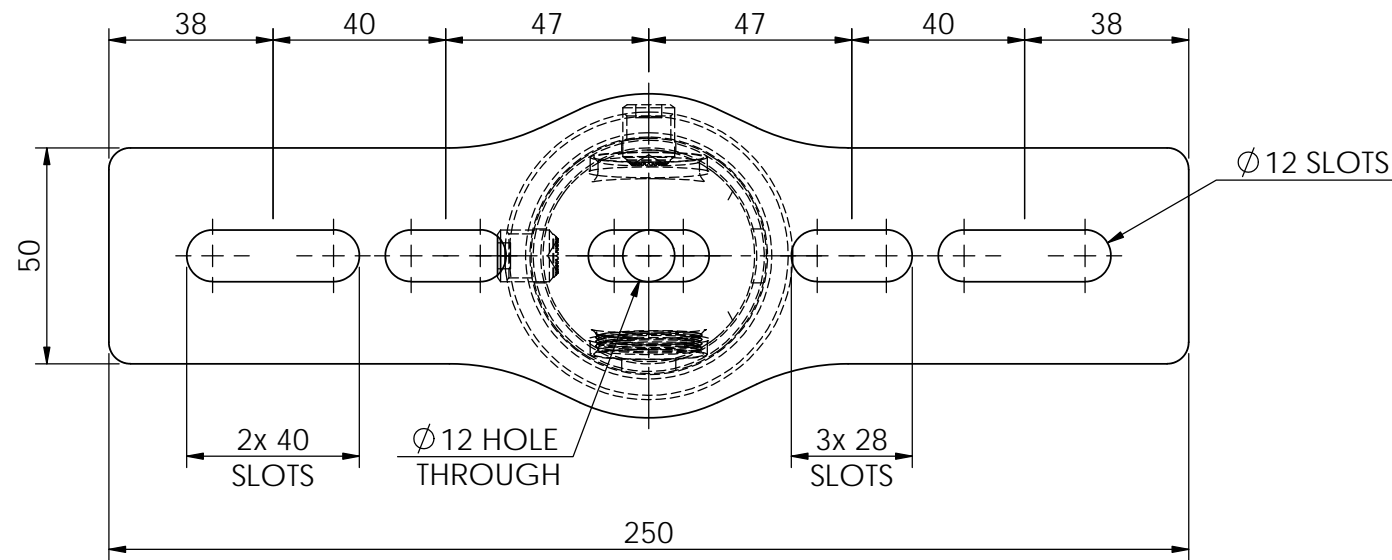
PATENTED
PRODUCTS

www.swivelpole.com

Swivelpole™

This document is the property of and protected by copyright owned by Swivelpole Group Pty Ltd. The designs and other information embodied in this document comprise confidential information of Swivelpole Group Pty Ltd and form part of products covered by international patents and registered designs including US patent No 6957832. Unauthorised use, reproduction and disclosure are strictly prohibited. This document must not be removed from the premises of the licensed user of this document without Swivelpole Group Pty Ltd's prior approval.

| ALL DIMENSIONS ARE IN MILLIMETERS | PROJECT | SERIES / CODE | PART NUMBER | REV |
|-----------------------------------|-------------|---------------|--------------------------------|-----|
| | SWIVELPOLE™ | LM | LMK5101-40-DD-HG | 3 |
| DRAWN BY | BP | DATE | TITLE | |
| CHECKED BY | KM | DATE | DN40 [Ø48.3mm] Luminaire Mount | |
| APPROVED BY | AI | DATE | Floodlight (bolt-on) | |
| THIRD ANGLE PROJECTION | | SCALE | Client Detail | |
| | | 1:2 | DRG No | |
| | | | C-AU-LMK5101-40-DD-HG | A3 |



PART NUMBER = LMK5101-40-DD-SS

MATERIAL = 316 Stainless Steel

WEIGHT = 1.1 kg

SUPPLIED WITH PLASTIC CAP



Scan Code with
QR Reader app for more
Swivelpole™ Light Mount
Product Information

PATENTED
PRODUCTS

www.swivelpole.com

Swivelpole™

This document is the property of and protected by copyright owned by Swivelpole Group Pty Ltd. The designs and other information embodied in this document comprise confidential information of Swivelpole Group Pty Ltd and form part of products covered by international patents and registered designs including US patent No 6957832. Unauthorised use, reproduction and disclosure are strictly prohibited. This document must not be removed from the premises of the licensed user of this document without Swivelpole Group Pty Ltd's prior approval.

| ALL DIMENSIONS ARE IN MILLIMETERS | PROJECT | SERIES / CODE | PART NUMBER | REV | DRG No |
|-----------------------------------|-------------|---------------|--------------------------------|-----|--------|
| | SWIVELPOLE™ | LM | LMK5101-40-DD-SS | 1 | A3 |
| DRAWN BY | BP | DATE | TITLE | | |
| CHECKED BY | KM | DATE | DN40 [Ø48.3mm] Luminaire Mount | | |
| APPROVED BY | AI | DATE | Floodlight (bolt-on) | | |
| THIRD ANGLE PROJECTION | SCALE | | C-AU-LMK5101-40-DD-SS | | |
| | | 1:2 | | | |