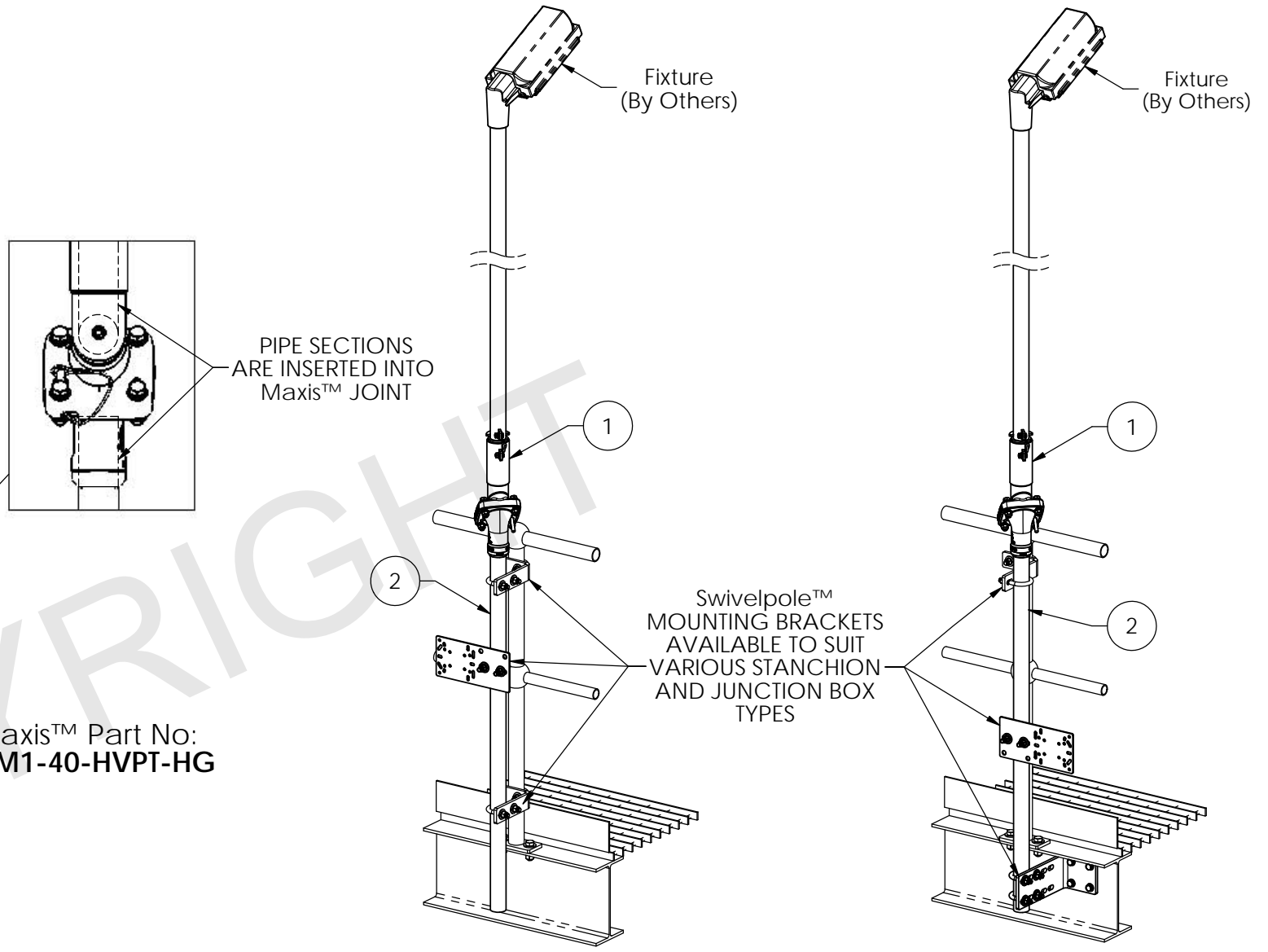
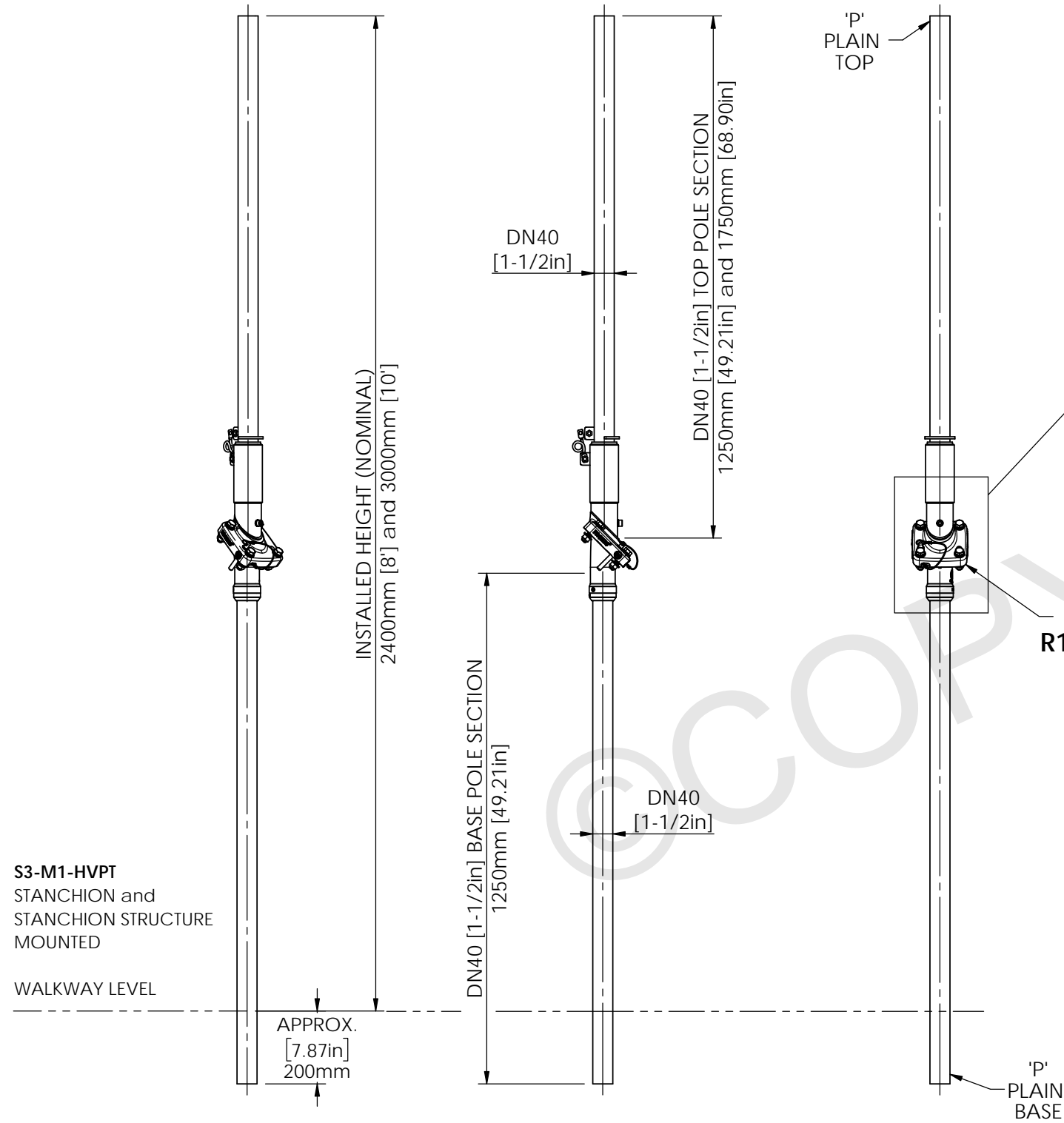


STRUCTURALLY CERTIFIED

ITEM NO.	QTY.	DESCRIPTION	MATERIAL
1	1	HVPT DN40 Top Section - PLAIN	STEEL / HOT-DIP GALVANISED
2	1	DN40 BASE POLE SECTION - PLAIN	STEEL / HOT-DIP GALVANISED



S3-M1-HVPT
STANCHION and
STANCHION STRUCTURE
MOUNTED

WALKWAY LEVEL

HVPT - HIGH VIBRATION POLE TOP

S3-M1-HVPT STANCHION MOUNTED ASSEMBLY VIEW

S3-M1-HVPT STANCHION/STRUCTURE MOUNTED ASSEMBLY VIEW

Ordering Information: HOT-DIP GALVANISED

INSTALLED HEIGHT	PRODUCT CODE	WEIGHT
2400mm [8']	S3-M1-HVPT-2400-P-013-HG	14.5 kg (31.9 lb)
3000mm [10']	S3-M1-HVPT-3000-P-013-HG	16.2 kg (35.7 lb)

IEC

Scan Code with QR Reader app for more Maxis™ Product Solutions

maxis™
PATENTED PRODUCTS

www.maxisjoint.com

PATENTED PRODUCTS

www.swivelpole.com

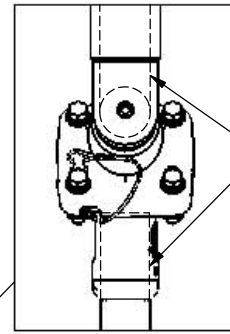
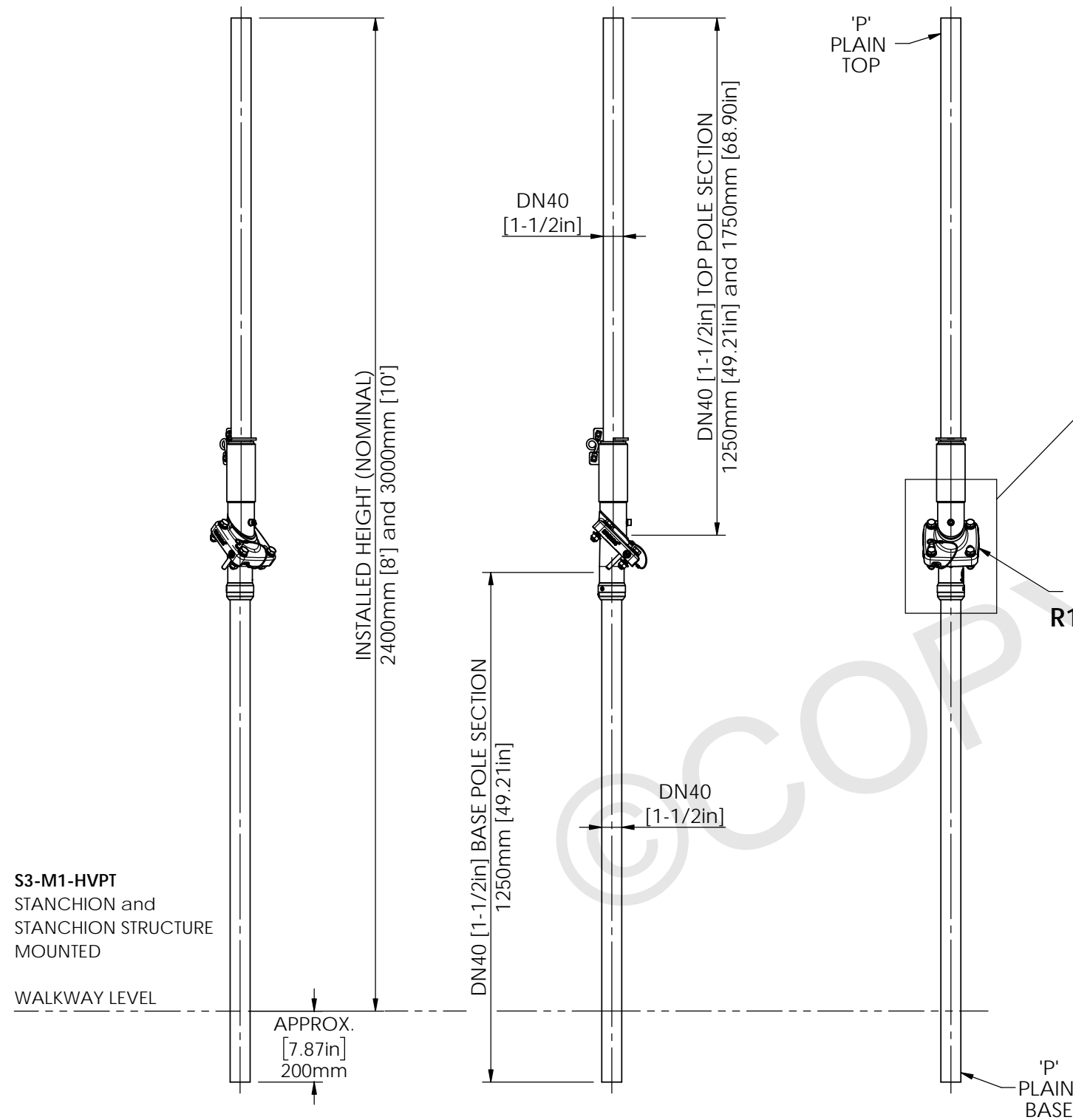
Swivelpole™

This document is the property of and protected by copyright owned by Swivelpole Group Pty Ltd and or Exemplar Products Pty Ltd. The designs and other information embodied in this document comprise confidential information of Swivelpole Group Pty Ltd and or Exemplar Products Pty Ltd and form part of products covered by international patents and registered designs including US patent No 6957832 and US patent No 9945143. Unauthorised use, reproduction and disclosure are strictly prohibited. This document must not be removed from the premises of the licensed user of this document without Swivelpole Group Pty Ltd's and or Exemplar Products Pty Ltd's prior approval.

ALL DIMENSIONS ARE IN MILLIMETERS / INCHES	SERIES / CODE S-HVPT	PART NUMBER As Noted	(RQ1985 - 02/04/24)
DRAWN BY BP	DATE 20/11/20	TITLE Swivelpole™ S3 - Maxis™ M1	
CHECKED BY KM	DATE 20/11/20	Base Section - PLAIN - HVPT Top Section - PLAIN	
APPROVED BY AI	DATE 20/11/20	General Assembly	
THIRD ANGLE PROJECTION	SCALE N.T.S.	DRG No C-IEC-S3-M1-HVPT-4040-P-HG	REV 4 A3

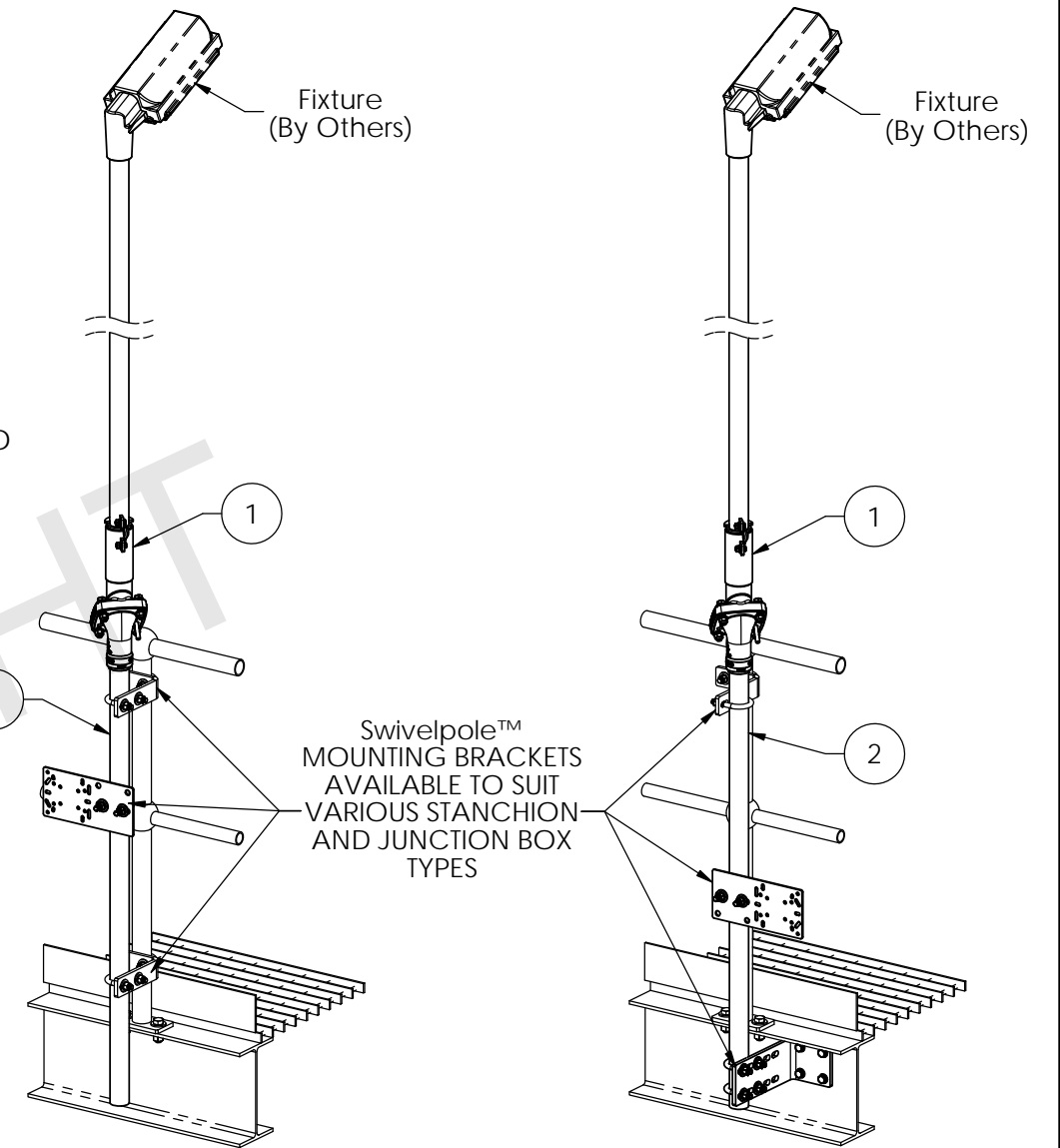
STRUCTURALLY CERTIFIED

ITEM NO.	QTY.	DESCRIPTION	MATERIAL
1	1	HVPT DN40 Top Section - PLAIN (ALUMINIUM)	STEEL / HOT-DIP GALVANISED / ALUMINIUM
2	1	DN40 BASE POLE SECTION - PLAIN	STEEL / HOT-DIP GALVANISED



PIPE SECTIONS ARE INSERTED INTO Maxis™ JOINT

Maxis™ Part No: R1-M1-40-HVPT-HG



HVPT - HIGH VIBRATION POLE TOP

S3-M1-HVPT STANCHION MOUNTED ASSEMBLY VIEW

S3-M1-HVPT STANCHION/STRUCTURE MOUNTED ASSEMBLY VIEW

Ordering Information: HOT-DIP GALVANISED / ALUMINIUM

INSTALLED HEIGHT	PRODUCT CODE	WEIGHT
2400mm [8']	S3-M1-HVPT-2400-P-013-HG-AL	12.1 kg (26.6 lb)
3000mm [10']	S3-M1-HVPT-3000-P-013-HG-AL	13.0 kg (28.6 lb)

IEC



Scan Code with QR Reader app for more Maxis™ Product Solutions

maxis
PATENTED PRODUCTS

www.maxisjoint.com

PATENTED PRODUCTS

www.swivelpole.com

Swivelpole™

This document is the property of and protected by copyright owned by Swivelpole Group Pty Ltd and or Exemplar Products Pty Ltd. The designs and other information embodied in this document comprise confidential information of Swivelpole Group Pty Ltd and or Exemplar Products Pty Ltd and form part of products covered by international patents and registered designs including US patent No 6957832 and US patent No 9945143. Unauthorised use, reproduction and disclosure are strictly prohibited. This document must not be removed from the premises of the licensed user of this document without Swivelpole Group Pty Ltd's and or Exemplar Products Pty Ltd's prior approval.

ALL DIMENSIONS ARE IN MILLIMETERS / INCHES	SERIES / CODE	PART NUMBER	REV
	S-HVPT	As Noted	4
DRAWN BY: BP	DATE: 03/12/20	TITLE: Swivelpole™ S3 - Maxis™ M1	
CHECKED BY: KM	DATE: 03/12/20	Base Section - PLAIN - HVPT Top Section - PLAIN	
APPROVED BY: AI	DATE: 03/12/20	General Assembly	
THIRD ANGLE PROJECTION	SCALE: N.T.S.	DRG No: C-IEC-S3-M1-HVPT-4040-P-HG-AL	A3